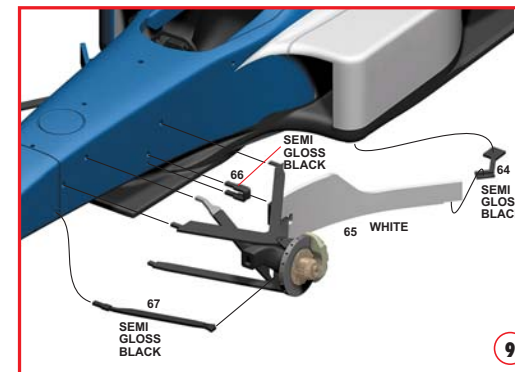
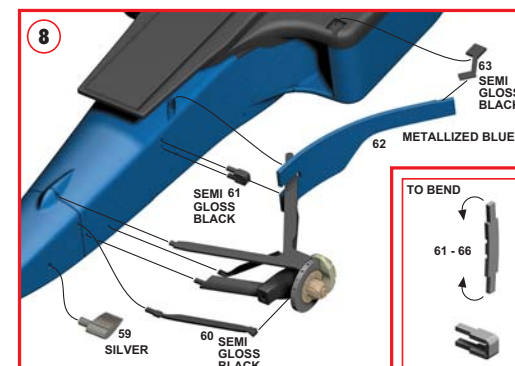
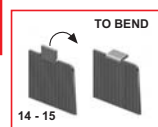
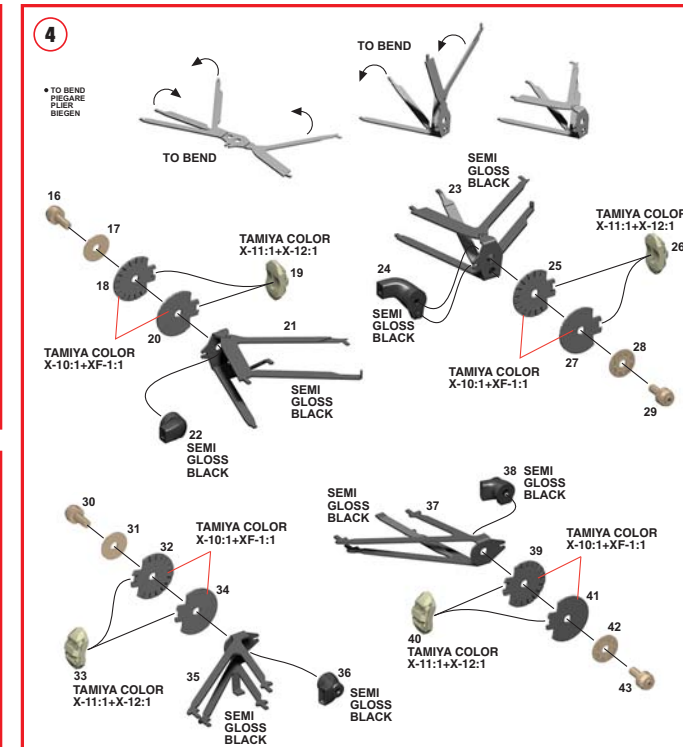
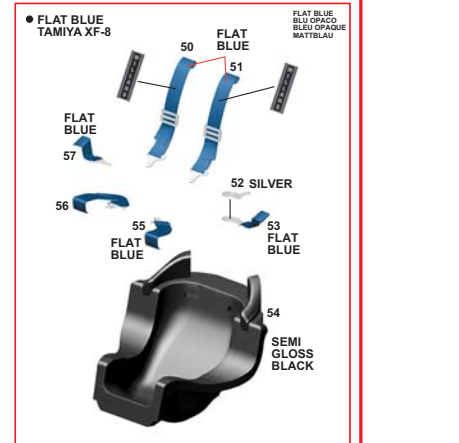
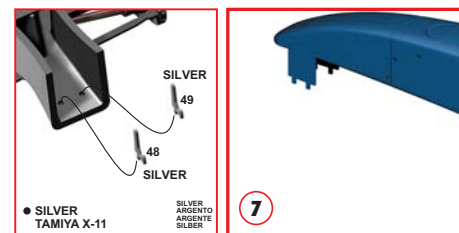
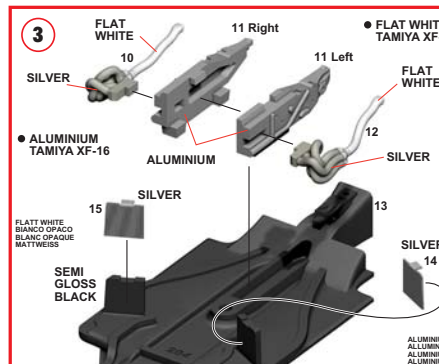
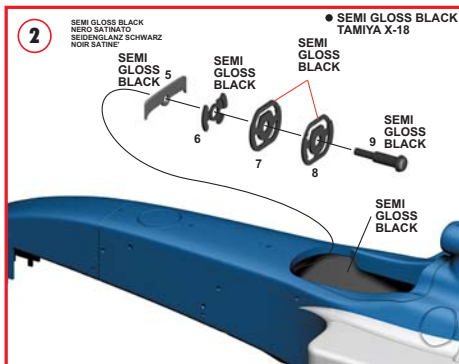
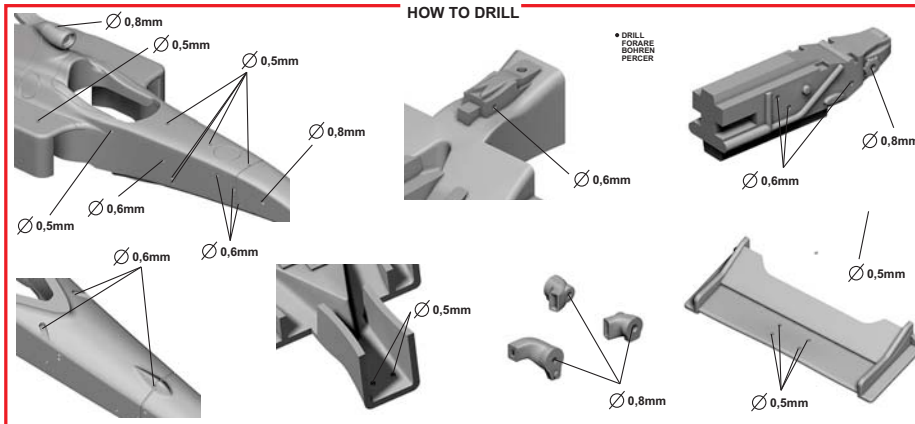
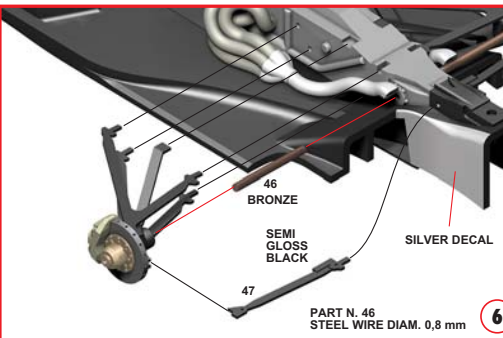
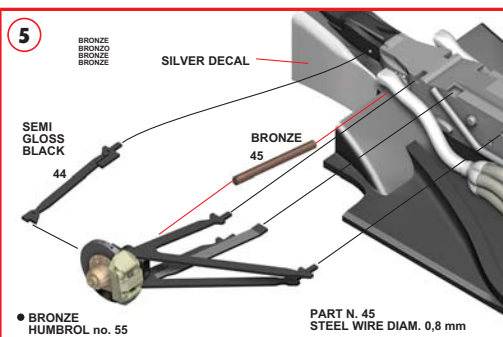
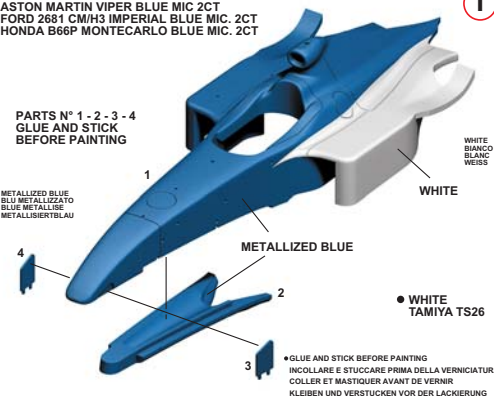


REF. METALLIZED BLUE :  
ASTON MARTIN VIPER BLUE MIC 2CT  
FORD 2001 CM/H3 IMPERIAL BLUE MIC. 2CT  
HONDA B66P MONTECARLO BLUE MIC. 2CT



# TAMEO KITS srl

Via Valle, 111 - P.O. Box 61  
17022 BORGIO VEREZZI SV ITALY  
Tel. 39 019 - 615.250 Fax. 39 019 - 615.310

Made in Italy. Modello per collezionisti in scala 1/43.

Vietata la vendita ai minori di 14 anni.  
Notivo per ingestione. Conservare fuori dalla portata dei bambini.  
Tameo Kits declina ogni responsabilità per un uso improprio del prodotto.

Made in Italy. Collector 1/43 Scale Models.

Not for sale to persons under 14 years of age.  
Dangerous if swallowed. Keep out of reach of children.  
Tameo Kits not held responsible for any damage or injury resulting from improper use of the product.

Made in Italy. Modèle pour collectionneurs échelle 1/43.

Vente interdite aux enfants de moins de 14 ans. Dangereux si avalé.  
Conserver hors de la portée des enfants. Tameo Kits décline toute responsabilité dans le cas de dommages dérivants de l'usage non approprié du produit.

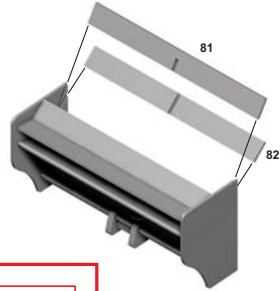
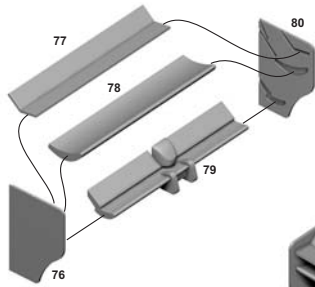
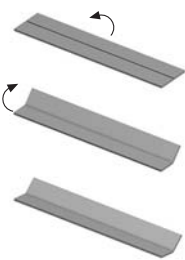
Made in Italy. Sammlermodell im Massstab 1/43.

Verkauf an Jugendliche unter 14 Jahren verboten. Schädlich bei Verschlucken.  
Tameo Kits lehnt jede Verantwortung bei unsachgemässer Benutzung des Produktes ab.

Hecho en Italia. Colección de modelos a escala 1/43.

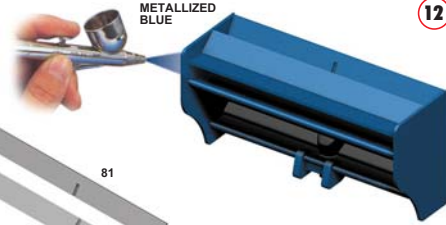
Prohibida la venta a menores de 14 años.  
No cpmestible. Mantener fuera del alcance de los niños.  
Tameo Kits no se hace responsable de los daños causados por el uso incorrecto de este producto.

TO BEND

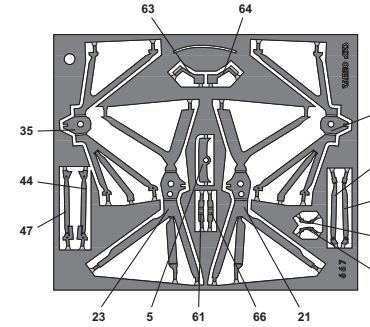
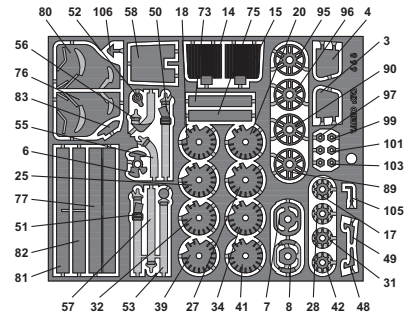


METALLIZED BLUE

12



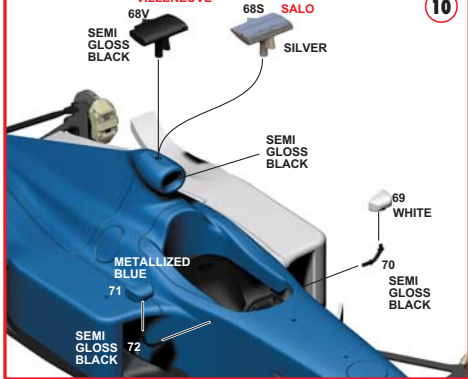
\*GLUE AFTER DECALS  
\*INCOLLARE DOPO LA POSA DELLE DECALS  
\*COLLER APRES LA DECALOQUE  
\*NACH DEM DECAL KLEBEN



10

VILLENEUVE

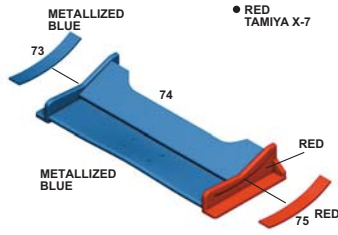
SALO



11

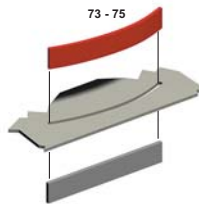
RED ROSSO ROUGE ROT

RED TAMIYA X-7

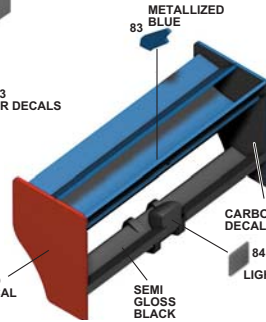


PARTS N° 73 - 75  
GLUE BEFORE PAINTING

TO BEND



PARTS N° 83  
GLUE AFTER DECALS



13

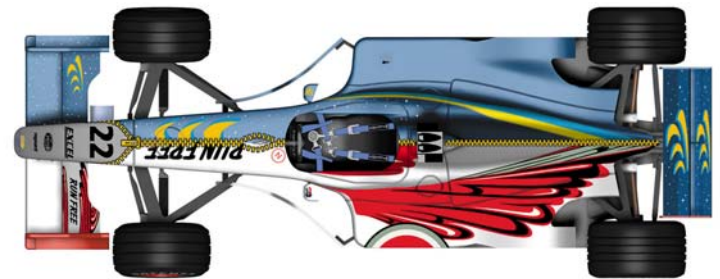
## MONACO G.P. 1999



22 - J. Villeneuve Ret.



23 - M. Salo Ret.



85 - 86



METALLIZED BLUE

89 - 90



SEMI GLOSS BLACK

103 104



BLACK NYLON WIRE

SILVER 105



WHITE DECAL

101 SEMI GLOSS BLACK

102

106

SEMI GLOSS BLACK

97 98



WHITE DECAL

99 SEMI GLOSS BLACK

100

106

SEMI GLOSS BLACK

DECAL

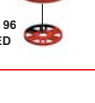
91 - 92



93 - 94 RED



95 - 96 RED



MONACO G.P. 1999

TMK284



22 - J. Villeneuve Ret.



23 - M. Salo Ret.

